

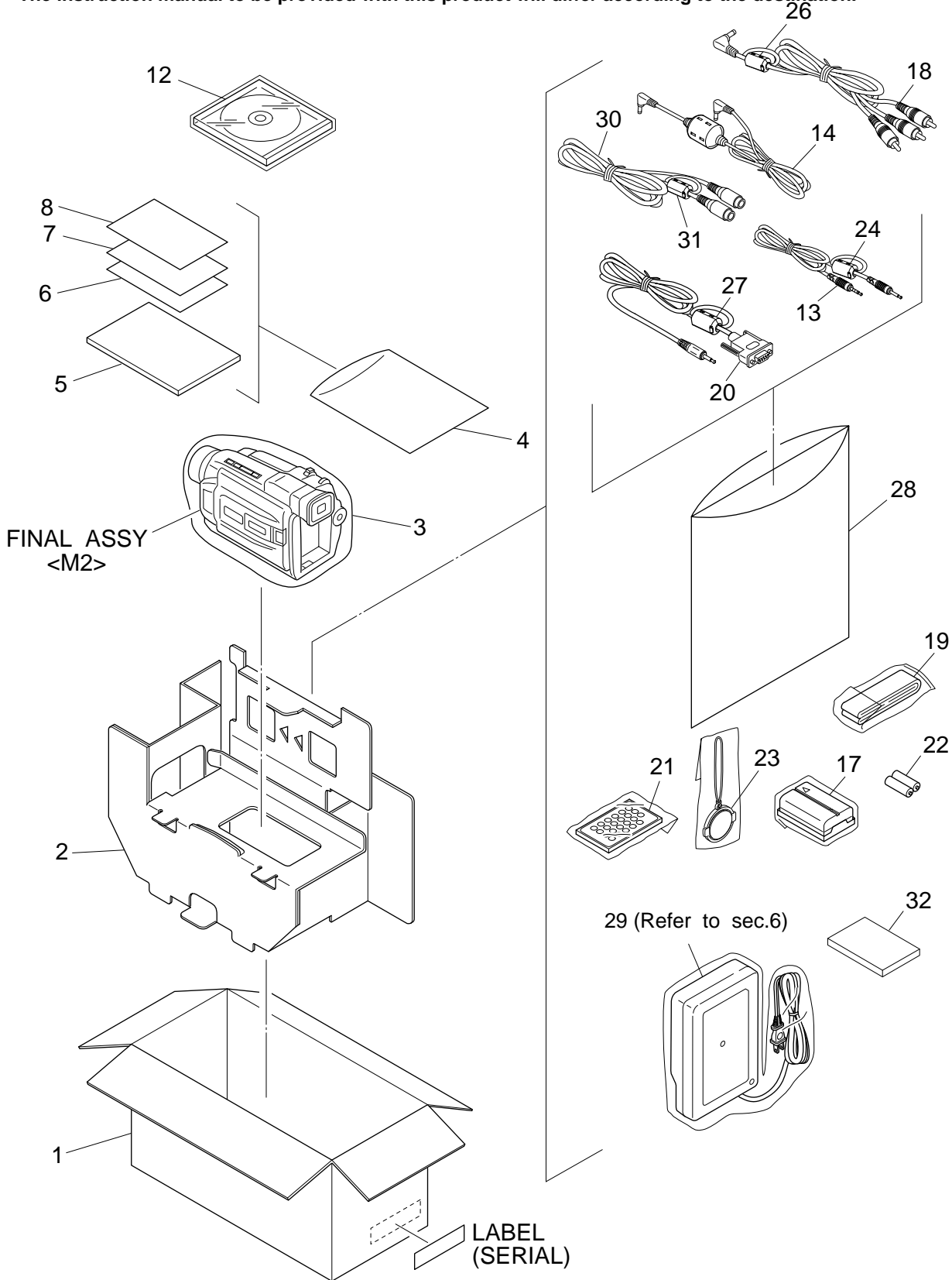
SECTION 5 PARTS LIST

SAFETY PRECAUTION

Parts identified by the \triangle symbol are critical for safety. Replace only with specified part numbers.

5.1 PACKING AND ACCESSORY ASSEMBLY <M1>

The instruction manual to be provided with this product will differ according to the destination.

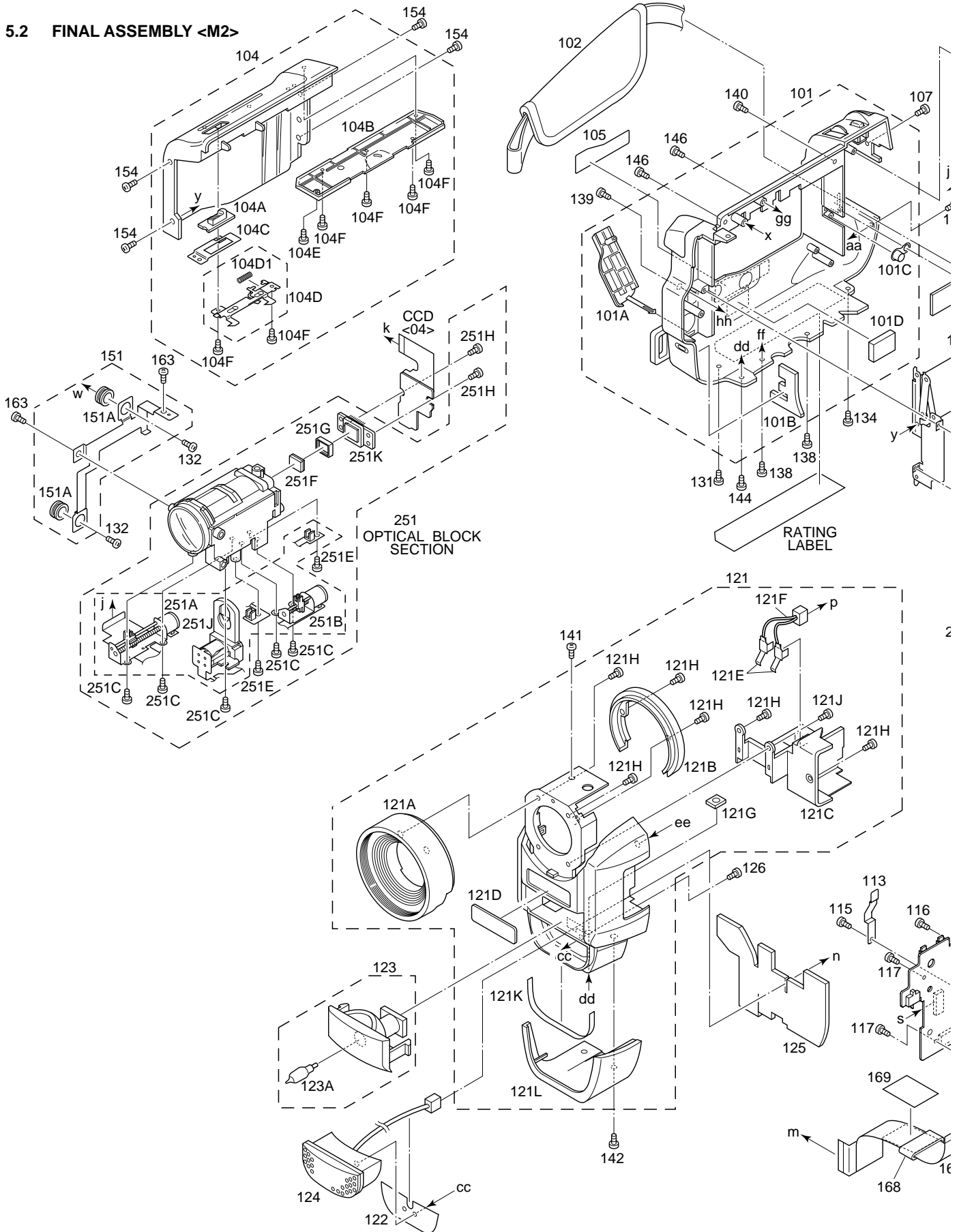


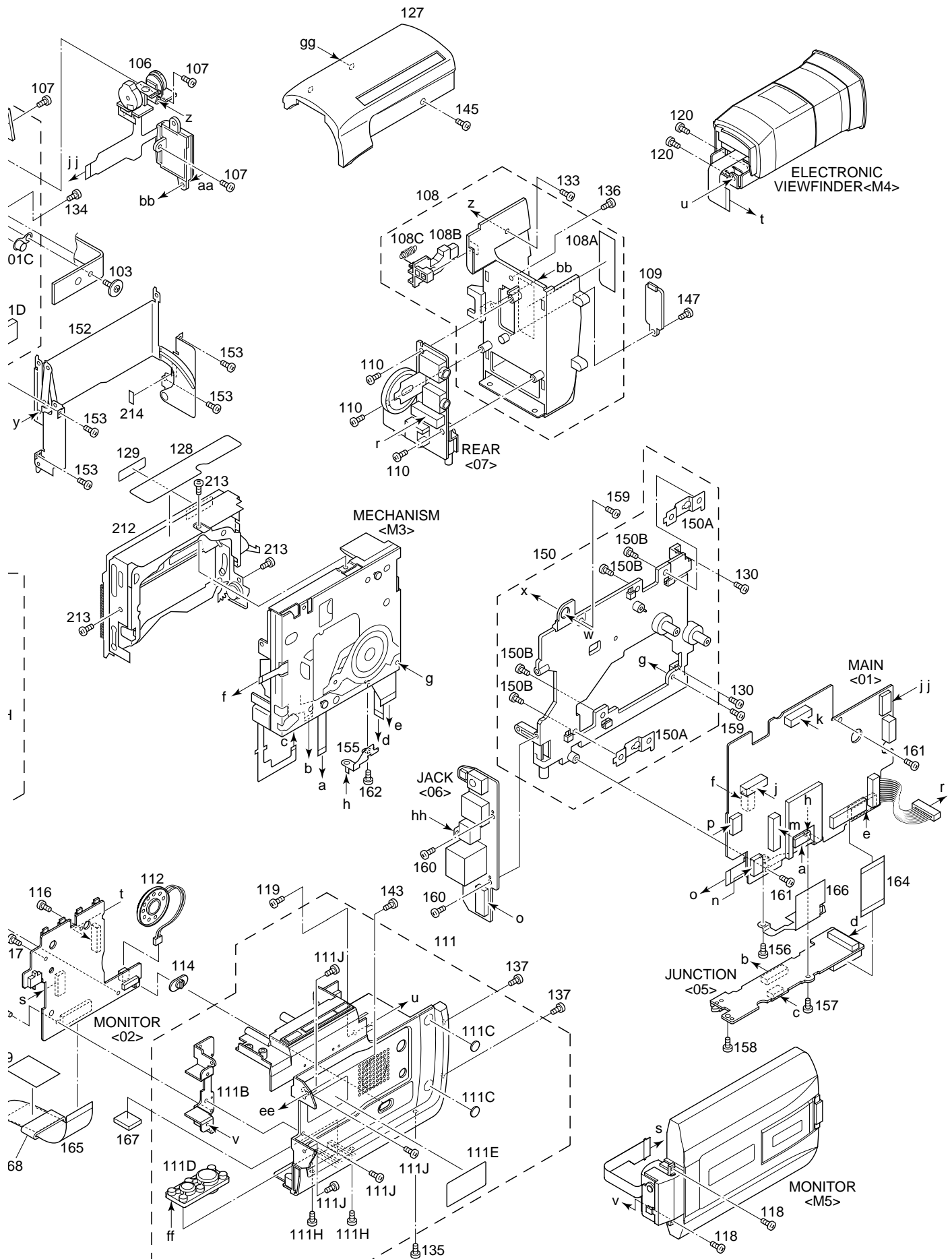
Δ REF No. PART No. PART NAME, DESCRIPTION

PACKING AND ACCESSORY ASSEMBLY <M1>

1	-	PACKING CASE
2	-	CUSHION
3	LY30023-008A	POLY BAG
4	QPA02003006	POLY BAG
Δ 5	LYT0621-001A	IB(SP)
Δ 6	LYT0531-001A	IB(SOFT.SETUP)
Δ 7	LYT0531-002B	IB(SOFT.OPE.EN)
8	LYT0378-003A	SHEET(AGREMENT)
12	LY31133-009A	CD ROM ASSY
13	QAM0214-001	RM CABLE,EDITING CABLE
14	QAM0170-001	DC CORD
Δ 17	LY31587-001A	BATTERY PACK,BN-V408U
18	QAM0211-001	CABLE ASSY,AUDIO/VIDEO CABLE
19	LY20186-001A	SHOULDER STRAP
20	QAM0084-001	PC CONNECTION CABLE
21	LY20543-002A	REMOTE CONTROL UNIT
22	-	BATTERY,AAA(R03),X2
23	LY42182-001A	LENS CAP
24	QQR0491-002	CORE FILTER
26	QQR0918-002	CORE FILTER
27	QQR0491-002	CORE FILTER
28	QPGA017-03005	POLY BAG
Δ 29	LY20591-011A	AC POWER ADAPTER CHARGER, AA-V40EN
30	QAM0004-003	S CABLE,S-VIDEO CABLE
31	QQR0491-002	CORE FILTER
32	-	MINI DV TAPE, M-DV30MEBU

5.2 FINAL ASSEMBLY <M2>





#	△ REF No.	PART No.	PART NAME, DESCRIPTION

FINAL ASSEMBLY <M2>			
△	101	LY20560-001C	LOWER CASE ASSY
	101A	LY31607-001A	JACK COVER
	101B	LY42391-001A	SHEET(MIC)2
	101C	LY40592-001A	CAP(GRIP BELT)
	101D	LY30029-052A	SPACER(A)
	102	LY20575-001B	GRIP BELT
	103	LY30018-003A	SPECIAL SCREW
	104	LY31609-001C	CASS.COVER ASSY
	104A	LY31610-001A	KNOB(EJECT)
	104B	LY31611-001A	COVER(C.C)
	104C	LY42173-001B	BKT(E.KNOB)
	104D	LY42174-001A	LOCK ASSY
	104D1	LY30002-038A	COMPRES. SPRING
	104E	LY30018-084A	SPECIAL SCREW
	104F	LY30018-023A	SPECIAL SCREW,X6
	105	LY42177-001B	SHEET(M.ADJ)
	106	LY20542-001A	ZOOM UNIT
	107	LY30018-084A	SPECIAL SCREW,X3
	108	LY31596-001A	REAR COVER ASSY
	108A	LY42161-001A	SHEET(REAR)
	108B	LY31595-001A	KNOB(RELEASE)
	108C	LY30001-018A	TENSION SPRING
	109	LY41691-001A	COVER(JIG)
	110	LY30018-084A	SPECIAL SCREW,X3
	111	LY20557-001E	UPPER CASE(2.5)ASSY
	111B	LY31623-001A	BRACKET
	111C	LY40664-001A	SPACER,X2
	111D	LY31019-001A	BASE
	111E	LY42244-001A	SHEET(MARK)
	111H	LY30018-084A	SPECIAL SCREW,X2
	111J	LY30018-0A8A	SPECIAL SCREW,X4
	112	QAS0048-001	SPEAKER
	113	LY42167-001A	PLATE(SPK)
	114	LY42168-001A	KNOB(SLIDE)
	115	LY30018-023A	SPECIAL SCREW
	116	LY30018-0A5A	SPECIAL SCREW
	117	LY30018-0A8A	SPECIAL SCREW,X2
	118	LY30018-090A	SPECIAL SCREW,X2
	119	LY30018-038A	SPECIAL SCREW
	120	LY30018-084A	SPECIAL SCREW,X2
	121	LY20563-001B	FRONT COVER ASSY
	121A	LY31615-001B	HOOD
	121B	LY31616-001A	RING
	121C	LY20572-001A	HOLDER(L.CONT.)
	121D	LY40987-003B	MARK
	121E	YQ43810-1-1	CONTACT(LIGHT),X2
	121F	WJM0003-006A	E-SI C WIRE C-F
	121G	YQ44434	BRACKET
	121H	LY30018-0A7A	SPECIAL SCREW,X6
	121J	LY30018-079A	SPECIAL SCREW
	121K	LY30029-042A	SPACER(A)
	121L	LY31614-001A	COVER(BOTTOM)
	122	LY42184-001A	PLATE(MIC)
	123	LY31617-001A	DC LIGHT ASSY
	123A	YQ44266	LAMP
	124	LY30861-012A	MICROPHONE
	125	LY42390-001A	SHEET(MIC)1
	126	QYSLSF2055D	SPECIAL SCREW
	127	LY20559-002A	TOP COVER(2.5)
	128	LY40698-002A	LABEL(HOUSING)
	129	LY40699-002A	LABEL(PUSH)

#	△ REF No.	PART No.	PART NAME, DESCRIPTION	
		130	LY30018-079A	SPECIAL SCREW,X2
		131	LY30018-079A	SPECIAL SCREW
		132	LY30018-050A	SPECIAL SCREW,X2
		133	LY30018-079A	SPECIAL SCREW
		134	LY30018-079A	SPECIAL SCREW,X2
		135	LY30018-079A	SPECIAL SCREW
		136	LY30018-084A	SPECIAL SCREW
		137	LY30018-023A	SPECIAL SCREW,X2
		138	LY30018-084A	SPECIAL SCREW,X2
		139	QYSPSPT1725R	SCREW
		140	LY30018-066A	SPECIAL SCREW
		141	QYSPSGT1760R	SCREW
		142	LY30018-079A	SPECIAL SCREW
		143	LY30018-084A	SPECIAL SCREW
		144	LY30018-044A	SPECIAL SCREW
		145	LY30018-059A	SPECIAL SCREW
		146	LY30018-052A	SPECIAL SCREW,X2
		147	LY30018-037A	SPECIAL SCREW
		150	LY31618-001C	HOLDER(MECHA)ASSY
		150A	LY42178-001A	BKT(MECHA),X2
		150B	LY30018-0B4A	SPECIAL SCREW,X4
		151	LY42179-001B	BKT(OP)ASSY
		151A	LY41675-001A	RUBBER,X2
		152	LY31612-001A	ARM ASSY
		153	LY30018-084A	SPECIAL SCREW,X4
		154	LY30018-066A	SPECIAL SCREW,X4
		155	LY40709-001C	BRACKET(GRD)
		156	YQ43893-3	MINI SCREW
		157	YQ43893-3	MINI SCREW
		158	LY30018-023A	SPECIAL SCREW
		159	LY30019-021A	SPECIAL SCREW,X2
		160	LY30018-023A	SPECIAL SCREW,X2
		161	LY30018-023A	SPECIAL SCREW,X2
		162	YQ43893-4	MINI SCREW
		163	LY30018-024A	SPECIAL SCREW,X2
		164	WJT0028-001A	FFC WIRE,MAIN CN113-JUNC CN571
		165	WJT0029-003A	FFC WIRE,MAIN CN101-MONI CN7601
		166	LY31657-001A	SHIELD CASE(2)
		167	LY30029-057A	SPACER(A)
		168	QQR0717-001	FERRITE CORE
		169	LY30029-058A	SPACER(A)
		212	LY30483-001Q	CASSETTE HOUSING ASSY
		213	YQ43893-4	MINI SCREW,X3
		214	LY42583-001A	SHEET

- OPTICAL BLOCK SECTION -

		251	YS20973F	OPTICAL BLOCK ASSY
		251A	LY30723-001B	ZOOM MOTOR
		251B	LY30724-001B	FOCUS MOTOR
		251C	LY30727-002A	SCREW,X5
		251E	LY30727-001A	SCREW,X2
		251F	LY41718-001A	OPTICAL LPF
		251G	LY31639-001A	SPACER RUBBER
		251H	QYSPSGU1750Z	SCREW,X2
		251J	LY31726-001A	IRIS MOTOR
		251K	YS40168E	CCD BASE ASSY